

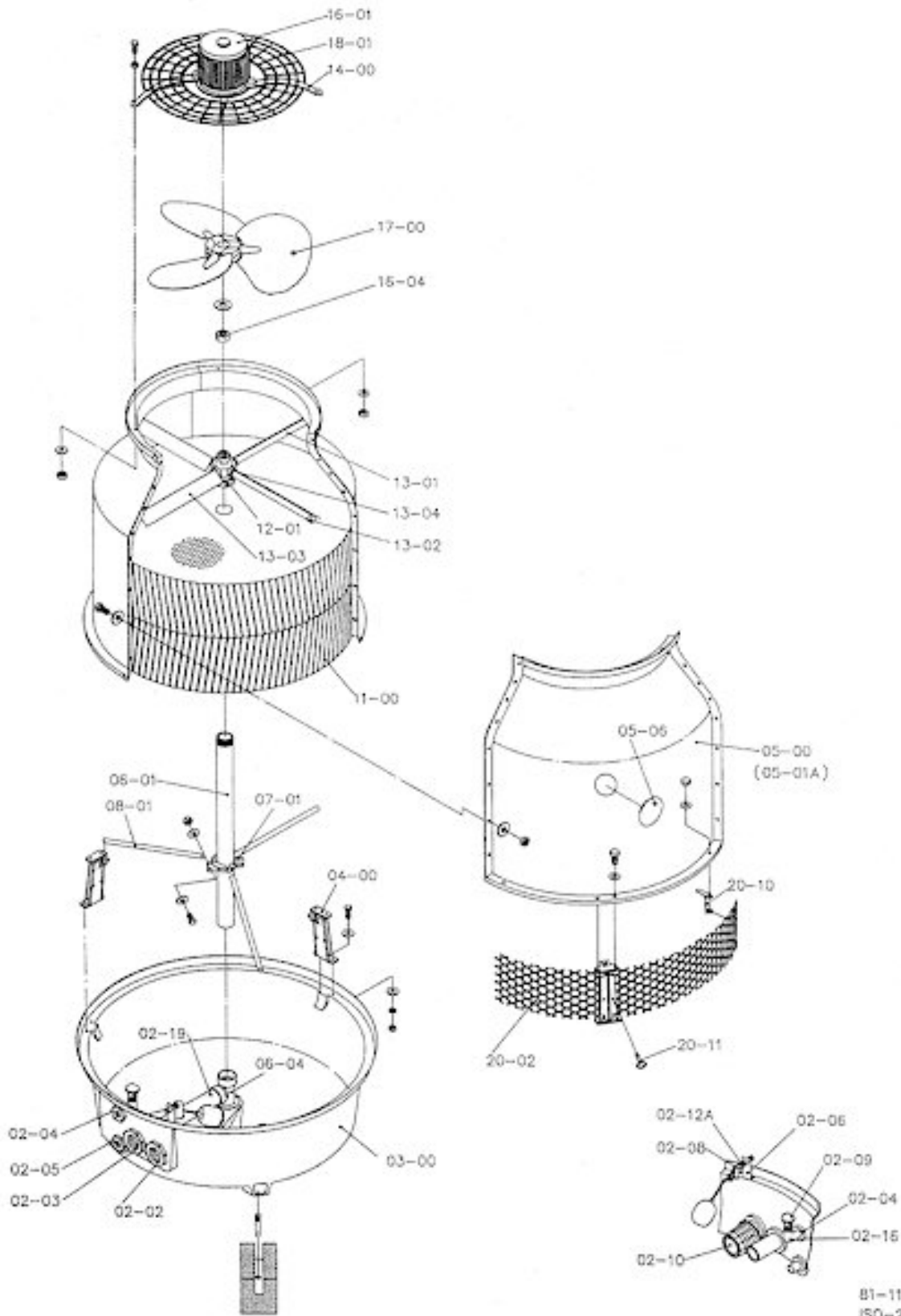
## ACTS-10 Specifications

<b>Basic Tower Construction Materials</b>	
Tower support frame assembly:	-
Casing:	FRP
Casing supporter:	Nylon
Cold water basin:	FRP
Filling:	PVC
Filling support:	PVC
Fan guard:	PP
Mechanical equipment support	HDGS
Air inlet louver:	PVC
<b>Structural Details</b>	
Overall diameter:	42 in
Overall height:	54 in
Dry weight:	123 lbs
Operating weight:	443 lbs
Total pump head:	5.0 ft
Design wind load:	30.7 lb/sq ft
<b>Fan Motor</b>	
Number of motors:	one unit per tower
Type:	Induction
Insulation:	E class
Rated HP:	.25 h. p.
Voltage and phase:	110/220-1

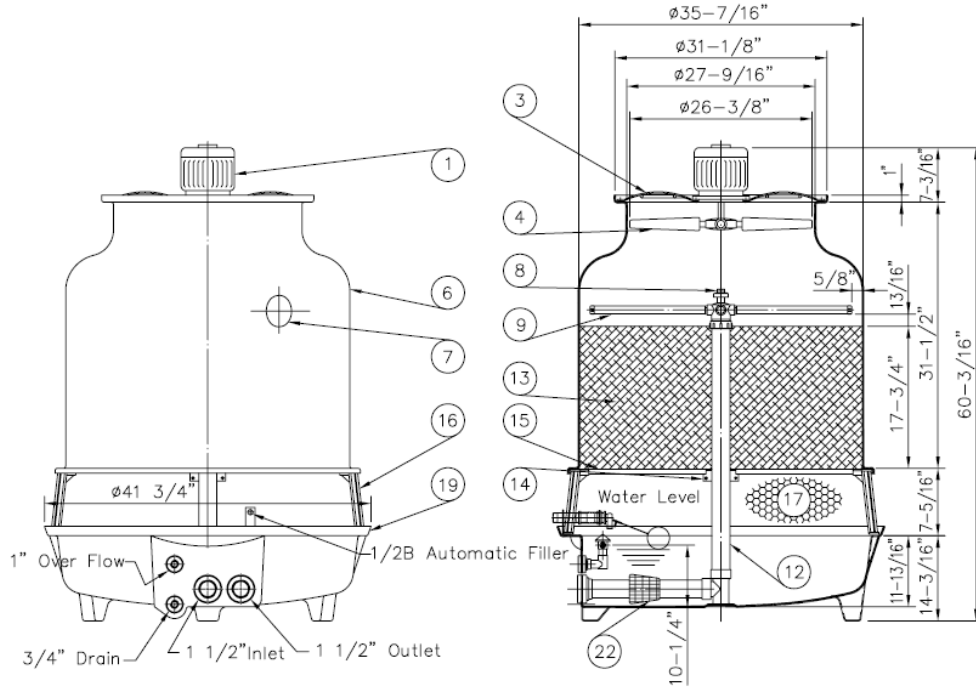
<b>Piping Connections</b>	
Primary water inlet diameter:	1.5 in
Primary water outlet diameter:	1.5 in
Auto fill inlet diameter:	0.5 in
Quick fill inlet diameter:	- in
Overflow outlet diameter:	1 in
Drain diameter:	0.75 in
<b>Design and Operating Conditions</b>	
Nominal Tons:	10
Tower type:	Counter Flow Induces Draft
Water flow rates:	20 gpm
Hot water temperature:	95° f
Cold water temperature:	85° f
Ambient wet bulb temperature:	75° f
Total fan BHP:	.25 h. p.
Drift loss of water flow rates:	0.002%
Evaporation loss of water flow rates:	0.93%
<b>Mechanical Equipment</b>	
Fan unit:	one unit per tower
Type:	Axial Flow
Diameter:	26 1/2 in
Blade material:	Nylon
Hub material:	Nylon
Nominal air volume:	3,500 cfm

# American Chillers & Cooling Tower Systems

## Assembly Diagram

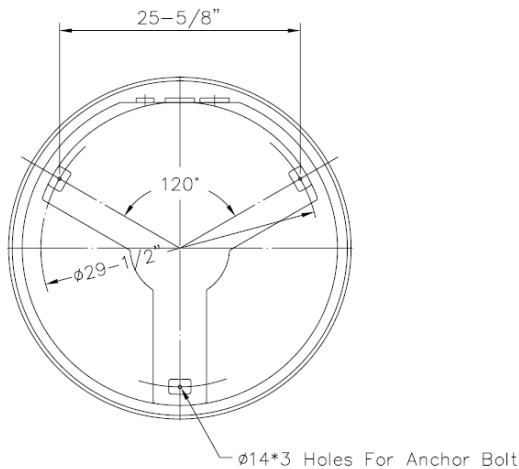


# American Chillers & Cooling Tower Systems



Item No.	Description	Qty
1	Fan Motor	1 pcs
2	V-Belt Reducer	-
3	Motor Frame Assembly	1 set
4	Fan	1 set
5	Fan Guard	-
6	Casing	3 pcs
7	Hand Hole	1 pcs
8	Sprinkler Head	1 set
9	Sprinkler Pipe	4 pcs
10	Eliminator	-
11	Tension Device	-
12	Stand Pipe	1 set

Item No.	Description	Qty
13	Filling	1 set
14	Stopper or Column	1 set
15	Filling Supporter	1 set
16	Casing Supporter	3 pcs
17	Inlet Louver	1 set
18	Frame Assembly	-
19	Water Basin	1 pcs
20	Water Sump	-
21	Ladder	-
22	Strainer	1 pcs
23	Flange	-
24	Basin Supporter	-



Measurement	Distance (Inches)
D1	29.5
W	25.625
B	8
A	-
h	6
h1	-
C	-
D2	-
Anchor Bolt	
Size (In.)	Length (In.)
0.50	4.75