

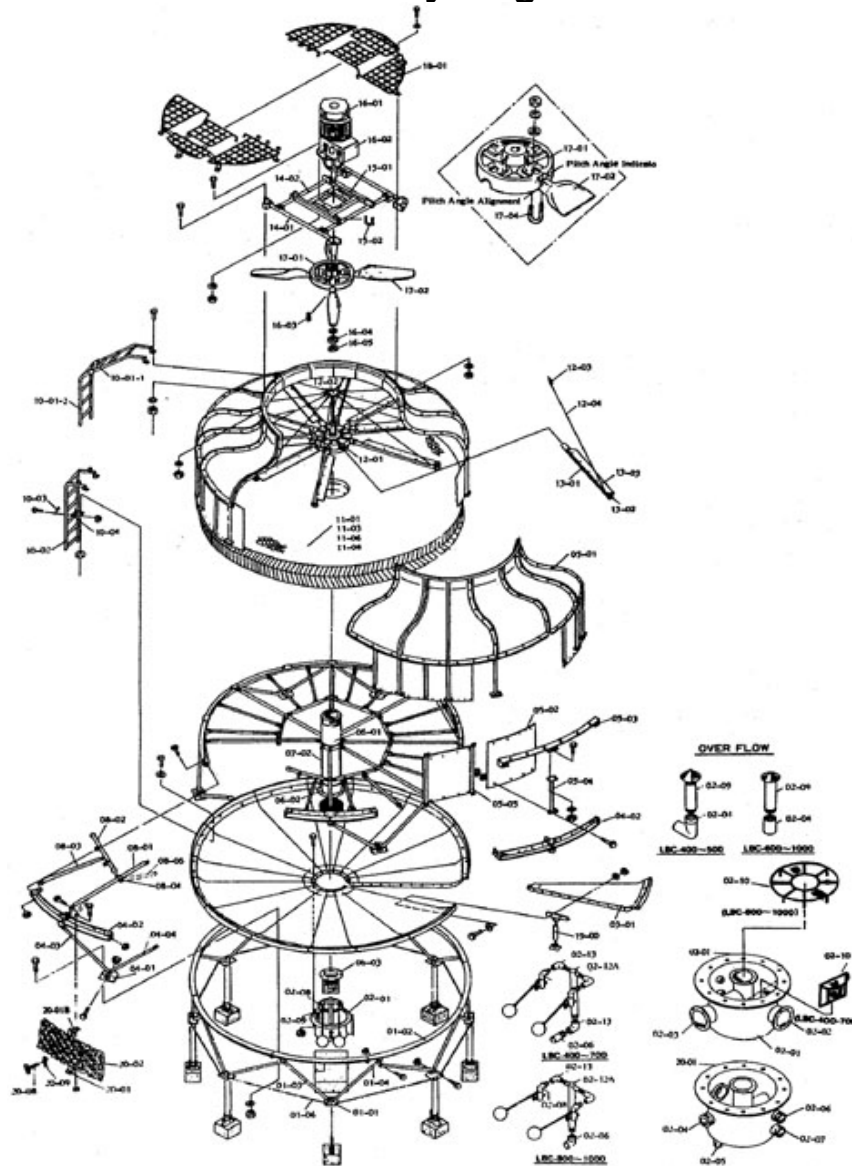
## ACTS-700 Specifications

<b>Basic Tower Construction Materials</b>	
Tower support frame assembly:	-
Casing:	FRP
Casing supporter:	Nylon
Cold water basin:	FRP
Filling:	PVC
Filling support:	PVC
Fan guard:	PP
Mechanical equipment support	HDGS
Air inlet louver:	PVC
<b>Structural Details</b>	
Overall diameter:	260 in
Overall height:	181 in
Dry weight:	7,848 lbs
Operating weight:	24,127 lbs
Total pump head:	18.2 ft
Design wind load:	30.7 lb/sq ft
<b>Fan Motor</b>	
Number of motors:	one unit per tower
Type:	Induction
Insulation:	E class
Rated HP:	20 h. p.
Voltage and phase:	220/440-3

<b>Piping Connections</b>	
Primary water inlet diameter:	10 in
Primary water outlet diameter:	10 in
Auto fill inlet diameter:	2 in
Quick fill inlet diameter:	2 in
Overflow outlet diameter:	4 in
Drain diameter:	2 in
<b>Design and Operating Conditions</b>	
Nominal Tons:	700
Tower type:	Counter Flow
Water flow rates:	1,546 gpm
Hot water temperature:	95° f
Cold water temperature:	85° f
Ambient wet bulb	75° f
Total fan BHP:	20 h. p.
Drift loss of water flow rates:	0.002%
Evaporation loss of water	0.93%
<b>Mechanical Equipment</b>	
Fan unit:	one unit per
Type:	Axial Flow
Diameter:	133 in
Blade material:	AC
Hub material:	AC
Nominal air volume:	125,000 cfm

# American Chillers & Cooling Tower Systems

## Assembly Diagram

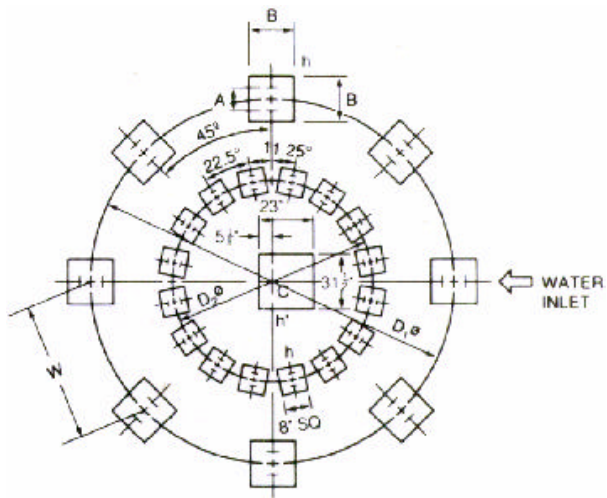


Item No.	Description	Qty
1	Fan Motor	1 pcs
2	V-Belt Reducer	1 set
3	Motor Frame Assembly	1 set
4	Fan	1 set
5	Fan Guard	1 set
6	Casing	16 pcs
7	Hand Hole	1 pcs
8	Sprinkler Head	1 set
9	Sprinkler Pipe	10 pcs
10	Eliminator	10 pcs
11	Tension Device	10 set
12	Stand Pipe	1 set

Item No.	Description	Qty
13	Filling	1 set
14	Stopper or Column	1 set
15	Filling Supporter	1 set
16	Casing Supporter	8 pcs
17	Inlet Louver	1 set
18	Frame Assembly	1 set
19	Water Basin	16 pcs
20	Water Sump	1 pcs
21	Ladder	1 set
22	Strainer	1 pcs
23	Flange	2 pcs
24	Basin Supporter	16 pcs

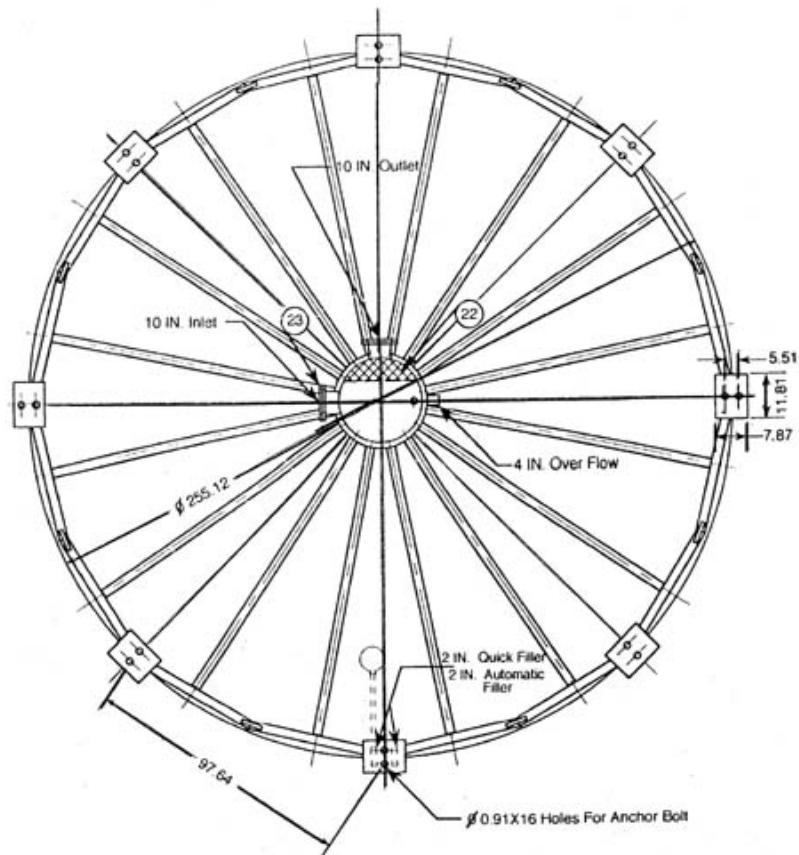
# American Chillers & Cooling Tower Systems

**Diagram 1**



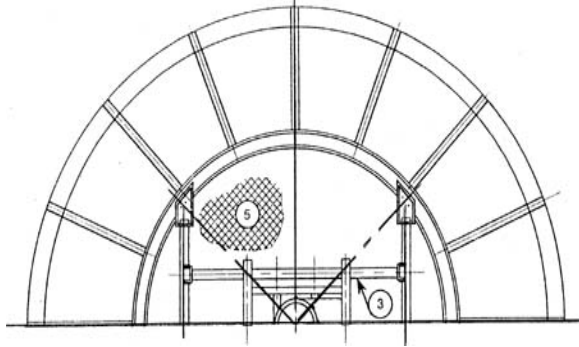
Measurement	Distance (Inches)
D1	255.125
W	97.625
B	20
A	5.5
h	12
h1	16
C	31.5
D2	141.75
Anchor Bolt	
Size (In.)	Length (In.)
0.75	8

**Diagram 2**

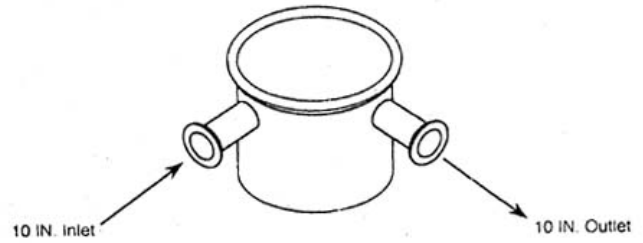


# American Chillers & Cooling Tower Systems

### Diagram 3



### Diagram 4



### Diagram 5

